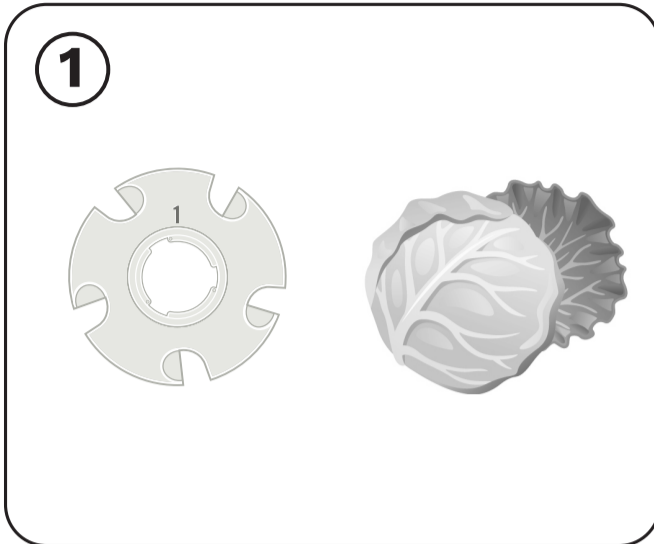
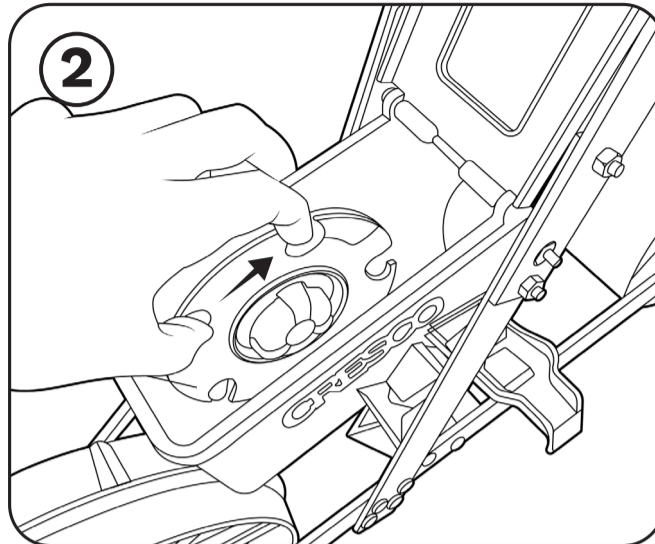


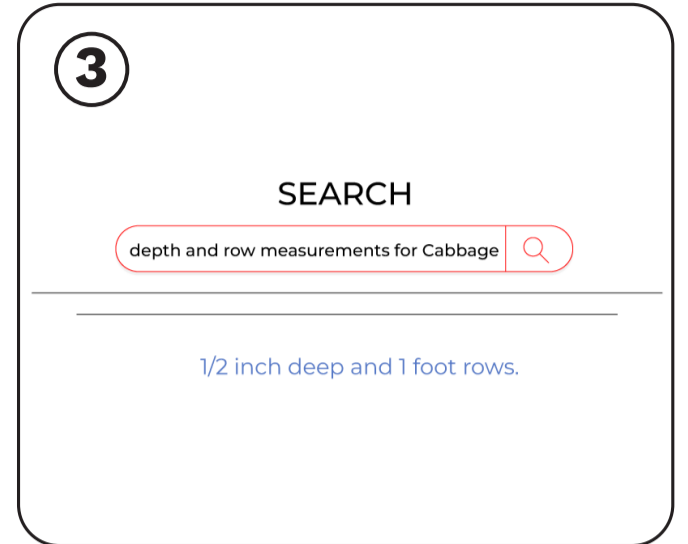
To use the Cresco SRS, please follow these simple steps;



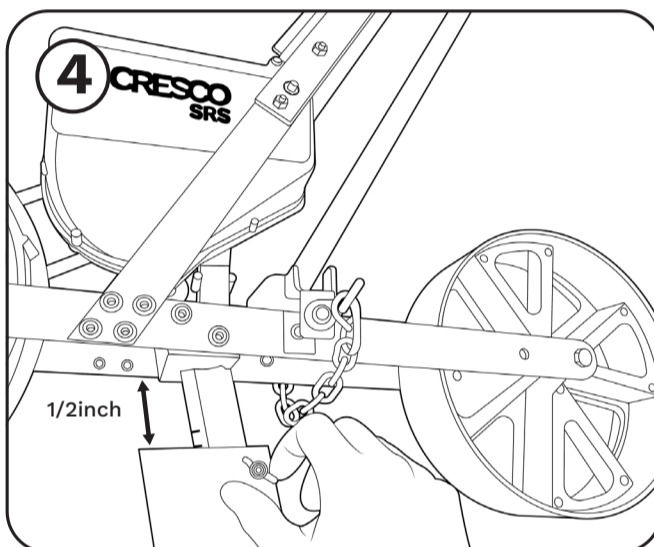
To find the correct seed plate, take a look at the back of the product box. For the purpose of this explanation, we will be planting a large cabbage which requires seed plate number one.



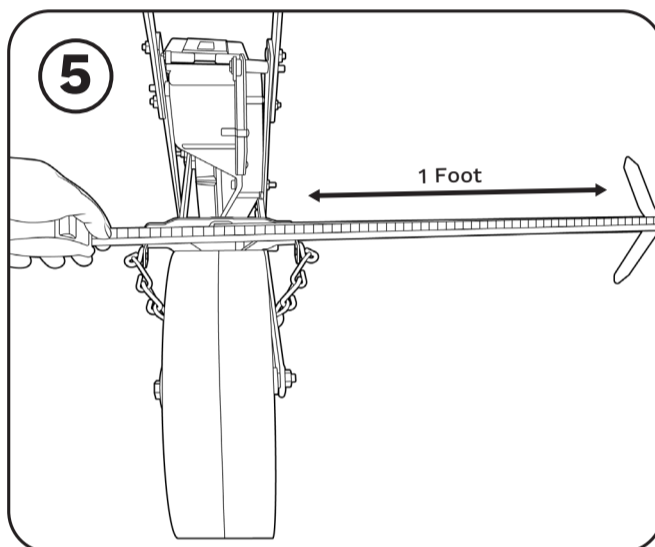
Insert the seed plate into the SRS hopper by placing it over the centre of the mounting and turning the plate clockwise to lock it into position.



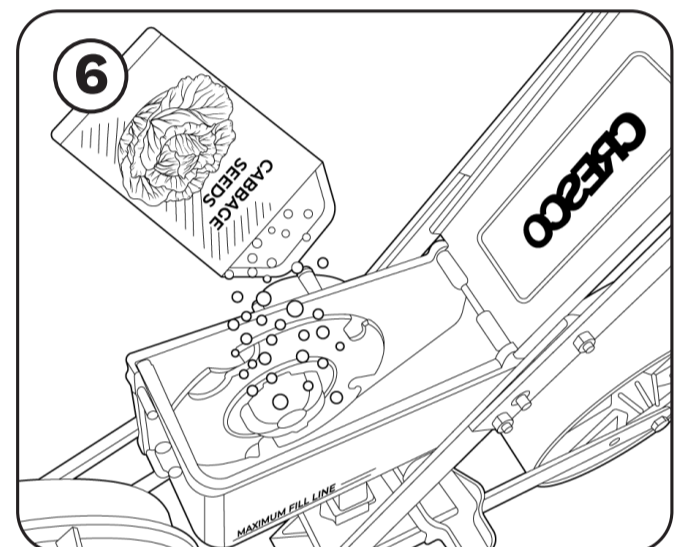
Select the required depth setting and row length. This information should be provided on your seed packet, but if not, simply look the information up online.



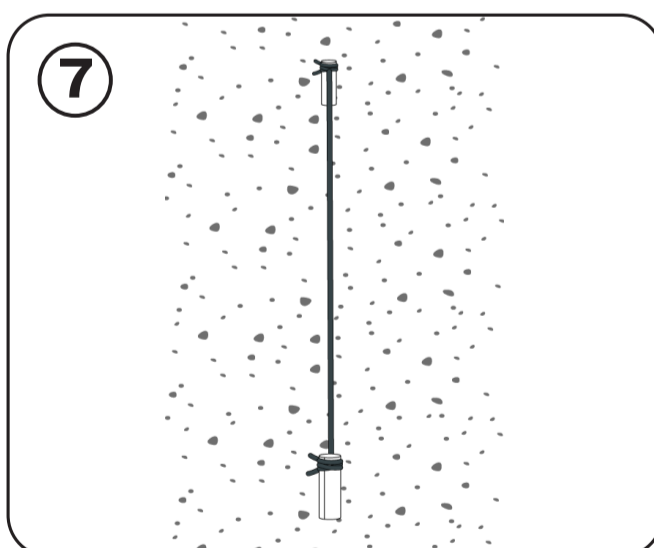
Adjust the depth setter to the recommended depth for your specific fruit or vegetable.



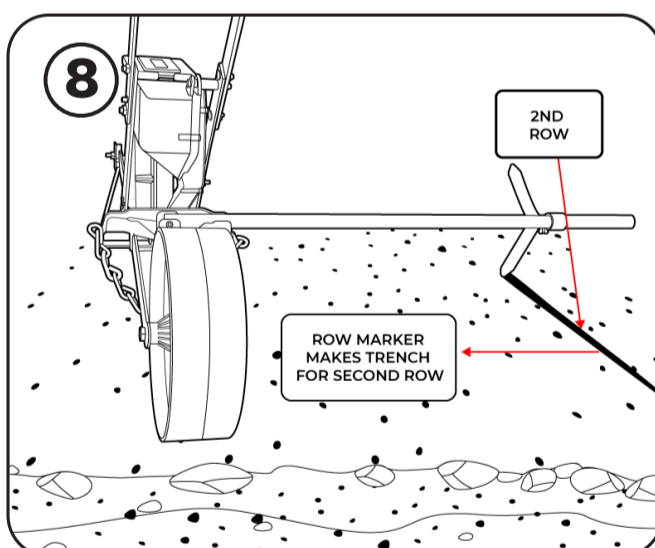
Adjust the row marker to the correct distance as shown



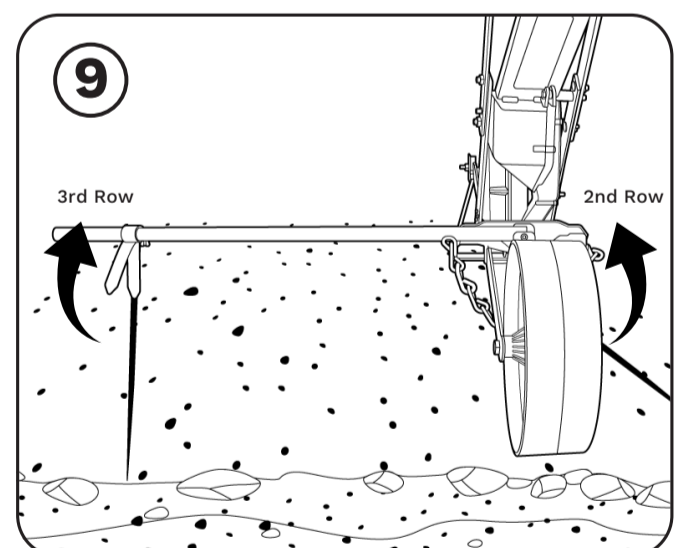
Empty the seeds into the hopper but make sure you do not exceed the maximum fill line. Overfilling can result in over application which will damage your yield.



The Cresco SRS is now ready to use. It is always best to mark out a straight line before commencing the first pass. An easy way to do this is to attach a piece of string to pegs at both ends of the tilth.



Engage the pre-set row marker. Push the SRS forward at a slow walking speed following the string you have marked out for your first row.



Stop at the end of the first run and place the marker back in its holder in the vertical position. The marker will have left a trail to be followed for the next seeding row (2nd Row). Now place the marker on the opposite side (on your left) and push the seeder along the track made by the marker on your first run (2nd Row).

## After use

There is no significant maintenance required on the S.R.S. Between uses it is recommended the seed plate in the hopper be removed. To remove or change over the seed plate in the hopper simply hold the plate and turn it anti clockwise, it will then release. Do not store with seed in the hopper always empty it out to prevent seed decomposing in the hopper over a storage period. It is advisable to clean the inside of the hopper ready for the next use. Store the Cresco SRS and the seed plates bag in a safe dry place ready for future use.