



Thank you for selecting EarthWay for your seeder needs. Our production team in Northern Indiana takes pride in building this seeder. Our customer support team is standing ready to ensure your success. Please contact us at www.EarthWay.com to see our full line of commercial, lawn & garden tools.



Prior to assembly, you will need the following tools:

Adjustable wrench or ½" box wrench



HELPFUL HINTS

- Read the directions before assembly.
- This seeder comes partially assembled, requiring you to install the WHEELS, HANDLE ASSEMBLY, and ROW MAKER.
- Assembly time is approximately 15 minutes with basic hand tools.
- Clean and dry your seeder thoroughly after each use.

MAINTENANCE

- Any accumulation of dust, dirt, or residue from chemically treated seeds in the seed hopper should be wiped out with a cloth after each use. A buildup of dirt may cause the seed plate to stick and seeds to pop out.
- Under certain conditions static electricity may build up on the seed hopper and interfere with planting fine seeds. If this situation should occur, wash the seed hopper and the seed plate with a mild dish washing detergent, and allow to dry.

ASSEMBLY INSTRUCTIONS

REAR WHEEL

- Step 1: Lower kick stand at front to hold planter upright.
- Step 2: Remove nut, bolt, and AXLE (Key# 21, 14, and 20) from FRAME.
- Step 3: Place REAR WHEEL between FRAME and insert AXLE (Key# 20).
- Step 4: Reinstall bolt and nut (Key# 14 and 21) then tighten.

HANDLE

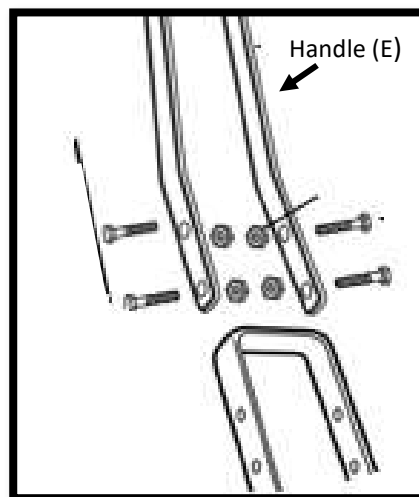
- Step 1: Remove nuts and bolts from plastic bag. (These are special lock nuts. A wrench will be required to remove and install them).
- Step 2: Take HANDLE (Key# 6) and place ends over the top of the FRAME (Key# 12) making sure to match up all holes.
- Step 3: Place the (4) ¼-20 x ¾ inch screws (Key# 8) through the holes in the HANDLE and FRAME. Secure bolts with (4) ¼-20 locknuts (Key# 9) and tighten.
- Step 4: Lastly take the ROW MARKER STRAP (Key# 5) and place it near the top of the handle and secure tightly.

ROW MARKER

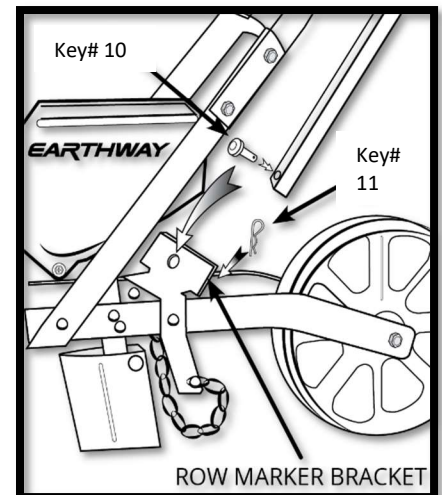
- Step 1: Place ROW MARKER SHAFT (Key# 7) in front of the ROW MARKER BRACKET (pictured below) and line up the holes.
- Step 2: Insert clevis pin (Key# 10) through ROW MARKER SHAFT and ROW MARKER BRACKET then secure by inserting bow tie pin clip (Key# 11) through end of clevis pin.
- Step 3: When not in use, secure the ROW MARKER SHAFT with the ROW MARKER STRAP at the top of the handle to hold in place.



Rear Wheel Assembly



Handle Assembly



Row Marker Assembly

OPERATING INSTRUCTIONS

To install the desired seed plate, hold the seed plate at an angle with the bottom against the straight wall in the seed hopper. Line up the slots against the inside of the seed hopper and rotate it approximately 1/2" in the "ON" direction as indicated by the arrow on top of the hopper until the cam action locks the seed plate in place on the hub. Do not force. OFF or ON directions are also indicated on the seed plates.

Step 1: Prepare the seedbed of your garden by tilling soil to a depth of 6 or more inches.

Step 2: To remove a seed plate, hold plate stationary, while rotating the PULLEY in direction of "OFF" on plate. Push seed plate off white hub by placing your finger through the hole just above the PULLEY on the back of the seed hopper.

Step 3: Utilize the SEED PLATE GUIDE to identify the closest spacing and seed size to your chosen seed. If more distance is desired between seeds, cover every other seed plate hole as required with tape or fill with bees wax.

Step 4: Pour seeds in the seed hopper. CAUTION: Do not fill the hopper above the center of the seed plate. NOTE: All the seed, especially small seed, will not be picked up by the plates leaving a small amount in the bottom of the hopper. Tilt the seeder to the right as you move down the row to help remove most of the seed if required.

Step 5: Next set the adjustable planting depth with the wedge-shaped GROUND OPENER (N) located directly under the hopper. NOTE: There are graduations in both inches and millimeters on the front angles of the SEED CHUTE. Move GROUND OPENER until top edge is in line with desired planting depth. Retighten wing nut after adjustment is made. Check the depth by moving the seeder forward a few inches in soft soil, readjust if necessary.

Step 6: Mark out the first row with string and stakes. Lower the ROW MARKER SHAFT and adjust the ROW MARKER to the proper width for the next row. Lift the kick stand over the FRONT WHEEL. Be sure the COVER CHAIN (O) follows behind the GROUND OPENER. You are now ready to plant.

Step 7: To empty any remaining seeds, lower the kick stand and tip the seeder forward until all seeds are removed. NOTE: When changing seed plates, be sure the seed hopper is completely empty.

NOTICE: Keep your seed hopper clean and free from dust, sand, dirt and seed treating materials.

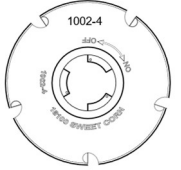
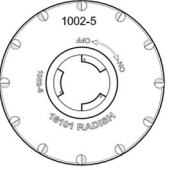
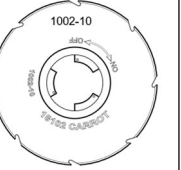
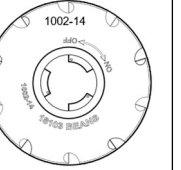
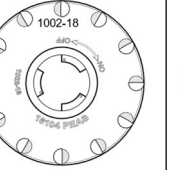
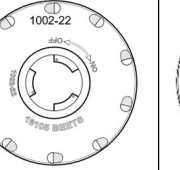

SEED PLATE GUIDE

This is a list of all the seed plates currently produced for the 1001-B Precision Garden Seeder.


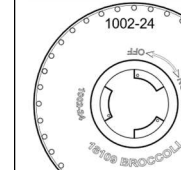
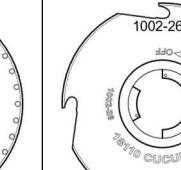
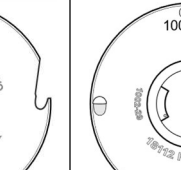
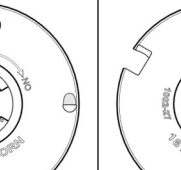
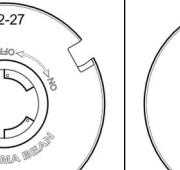
Information:

The Precision Garden Seeder chassis travels 36"/91.4cm for every revolution of the seed plate. Custom seed spacings can be achieved by utilizing the blank seed plate (60010 kit) to fit other planting spacing and seed sizes. Smaller seeds will stick together due to humid conditions. Dip the plate in soapy water and let dry or utilize a 3rd party seed powder (Seed SLIK - slipplate.com) to prevent your seeds from sticking together.

60009 STANDARD SEED PLATE KIT

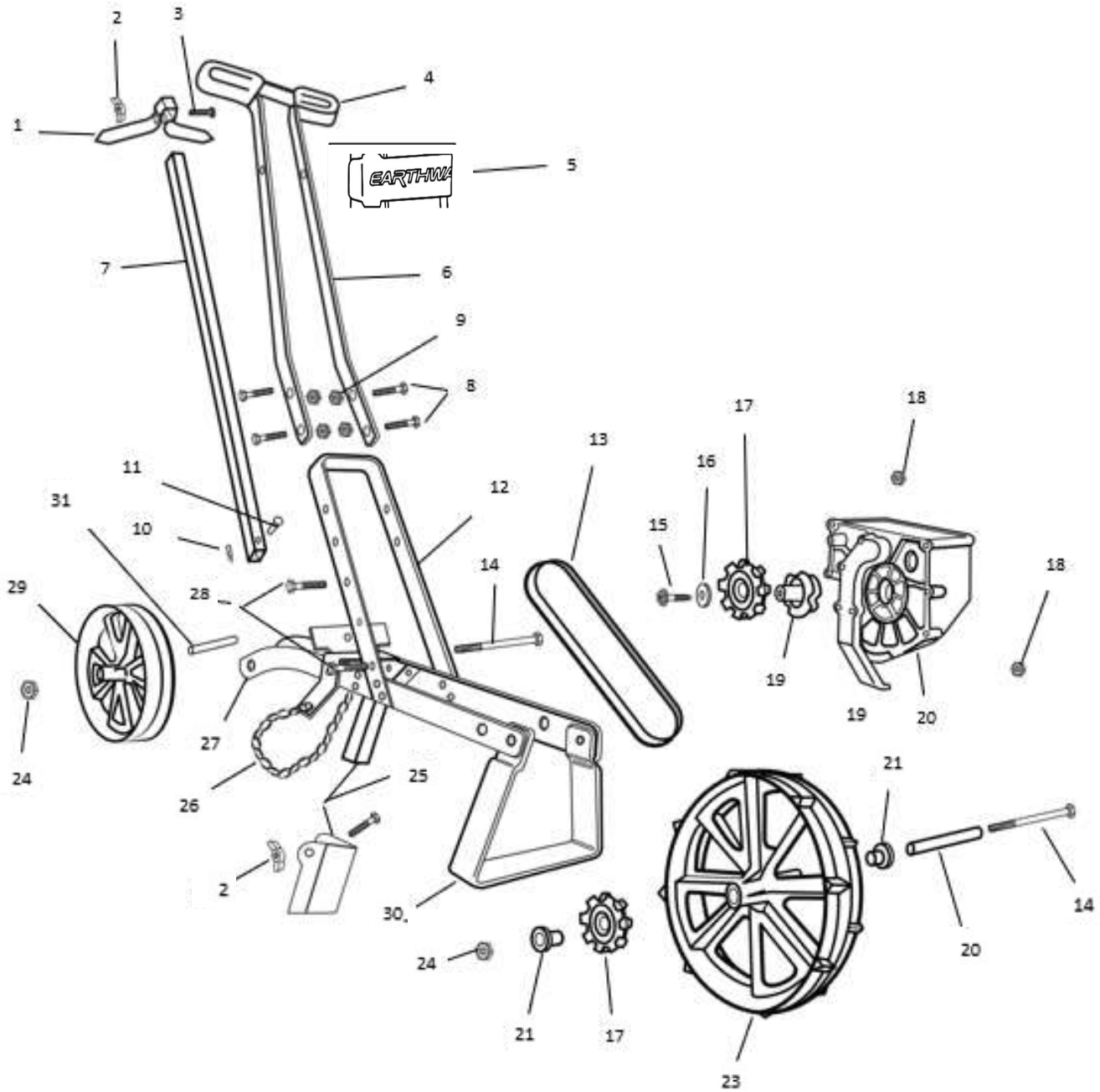
						
18100 Sweet Corn	18101 Radish	18102 Carrot	18103 Beans	18104 Peas	18105 Beet	18111 Hemp
7.2" Spacing/18.3cm	3" Spacing/7.6cm	4.5" Spacing/11.4cm	3.6" Spacing/9.1cm	3" Spacing/7.6cm	3.6" Spacing/9.1cm	36" Spacing/91.4cm
Will plant most varieties of sweet corn as well as some other larger seed types 0.375"/9.5mm.	Will plant some leek, asparagus, spinach and other fine seeds 0.175"/4.4mm.	Will plant some lettuce, turnip, endive, cabbage, onions, tomatoes, and other fine seeds 0.125"/3.2mm.	Will plant some small peas 0.450"/11.4mm.	Will plant some Jumbo and Early June Peas 0.562"/14.3mm.	Will plant some Okra, Swiss Chard, and other medium seeds 0.250"/6.3mm.	Will plant various types of hemp seed 0.170"/4.3mm.

60010 OPTIONAL SEED PLATE KIT

					
18108 Light Carrot	18109 Broccoli	18110 Cucumber	18112 Popcorn	18124 Lima Bean	18106 Blank Plate
4.5" Spacing/11.4cm	1" Spacing/2.5cm	9" Spacing/22.9cm	9" Spacing/22.9cm	12" Spacing/30.5cm	
Will plant light lettuce, turnip, rutabaga, light cabbage, mustard, kale, and other fine seeds 0.150"/3.8mm.	Will plant mustard, cabbage, cauliflower, turnip, rutabaga, and other fine seeds 0.100"/2.5mm.	Will plant some pumpkin, gourds, squash, sunflower, watermelon, cantalope and other flat seeds 0.312"/8mm.	Will plant medium sized seeds of a size less than 0.250"/6.3mm.	Will plant peanuts and other large seeds 0.625"/15.9mm.	The blank seed plate allows you to make a custom seed plate with spacing and seed size that you determine.

HOW TO ORDER PARTS

Call or Email: TURF DEPOT 800-305-9255 or earthway@turfdepot.com



Precision Garden Seeder Parts List		
KEY	PART #	DESCRIPTION
1	41228	ROW MARKER
2-	32107	WING NUT
3-	37100	¼-20 X 1" CARRIAGE BOLT
4	19110	SEEDER HAND GRIP
5	70223	ROW MARKER STRAP – VELCRO
6	60011	HANDLE ASSEMBLY
7-	22606	ROW MARKER SHAFT
8	31101	¼-20 X ¾" HHCS SCREW
9	32103	¼-20 LOCKNUT
10	12133	CLEVIS PIN
11	36102	BOW TIE CLIP
12	41240	UPPER FRAME
13	19109	SEEDER BELT
14	31102	5/16-18 X 4 ¼" HHCS SCREW
15*	31148	10 X 1" TYPE A PHPS SCREW
16*	43024	HUB WASHER
17*	12131	PULLEY
18	32100	¼-20 HEX NUT
19	60017	HOPPER ASSEMBLY
20#	23500	FRONT AXLE
21#	12132	BEARING
23#	12102	FRONT WHEEL ASSEMBLY
24	32102	5/16-18 HEX NUT
25	60016	GROUND OPENER AND SEED CHUTE
26	70104	#6 SING JACK CHAIN
27	41241	LOWER FRAME
28	31100	¼-20 X 1 ½" HHCS FULL THRD SCREW
29	12101	REAR WHEEL
30	41222	KICKSTAND
31	23500	BACK AXLE
OPTIONAL	60010	OPTIONAL 6 QTY SEED PLATE KIT
OPTIONAL	1600	FERT-A-PLY ATTACHMENT

ITEMS MARKED WITH SPECIAL CHARACTERS BELONG IN AN ASSEMBLY		
SPECIAL CHARACTER	PART#	DESCRIPTION
-	60012	ROW MARKER ASSEMBLY
*	60017	HOPPER ASSEMBLY
#	12102	FRONT WHEEL ASSEMBLY

1600 Side-Dress Fertilizer Attachment

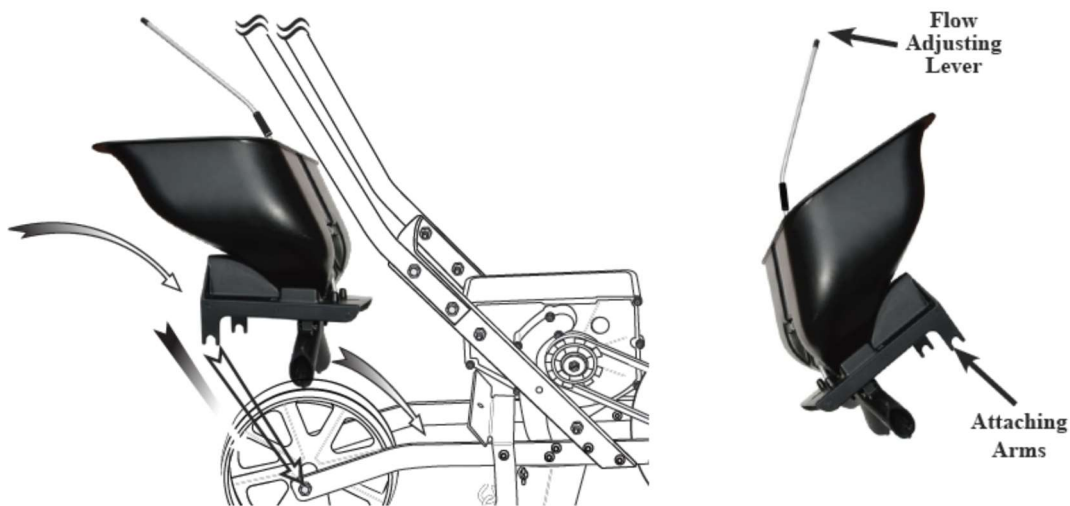
Optional Accessory: Can be used with row marker in place.

ATTACHING:

Slide the 1600 behind the handle and in front of the rear wheel, between the frame and lock the Attaching Arms over the rear wheel mounting bolt & nut.

OPERATING INSTRUCTIONS:

Calibrated slide plate allows precise flow rates of all granulated fertilizers. Fertilizer can be applied on both sides of the planting furrow. Four position positive action On/Off handle helps eliminate waste. Made from durable weather resistant materials for years of dependable use.



1600 Side-Dress Fertilizer Attachment Parts List					
PART #	DESCRIPTION	QTY	PART #	DESCRIPTION	QTY
31133	#8 X 3/4 PHPS TYPE A SCREW	2	60046	HOPPER ASSEMBLY	1
31138	#8 X 3/8" PMT #8 HD COARSE BLACK	2	36233	1/4-20 X 1/2" PHPS S.S.	4
31146	#6 X 1/2" TYPE "A" PHPS BLACK	2	36308	1/4-20 LOCK NUT W/EXT LW SS	4
41215	CONTROL ROD	1	60033	HOPPER SUPPORT	1
41216	CONTROL ROD EXTENSION	1	70142	NUT PROTECTOR .234 ID. X .375 IL.	1
12123	CONTROL ROD CONNECTOR	1			

CUSTOMER SERVICE

SUPPORT@EARTHWAY.COM | www.EARTHWAY.com | 1009 Maple Street, Bristol, IN 46507

ONE YEAR WARRANTY

Limited Warranty

EarthWay Products, Inc. provides this limited warranty that this product is free of defects in original workmanship and materials for a period of one year to the end user with the original purchase receipt. If a manufacturing non-conformance is found, EarthWay Products, Inc. at its discretion will repair or replace the part(s)/product at no charge provided the failure is not the result of incorrect installation, mishandling, misuse, tampering, improper storage, or normal wear and tear as determined by EarthWay. Due to the corrosive nature of most fertilizers and ice melt products, EarthWay Products, Inc. makes no warranty against and specifically excludes part(s) or product degradation or failure due to corrosion or its effects .

EarthWay at its discretion may require that the part(s) or product be returned along with the original purchase receipt for examination and compliance with the terms of this limited warranty. Do not return any product without first receiving authorization from EarthWay Products, Inc. IN NO EVENT SHALL EITHER PARTY BE LIABLE TO THE OTHER FOR SPECIAL, INDIRECT, INCIDENTAL OR CONSEQUENTIAL DAMAGES, EVEN IF SUCH PARTY SHALL HAVE BEEN ADVISED OF THE POSSIBILITY OF THE SAME. To seek remedy under this limited warranty, contact EarthWay Products, Inc. at support@earthway.com or write to EarthWay Products, Inc. 1009 Maple Street, Bristol, IN 46507 and describe the nature of the manufacturing defect. SPECIFIC LIMITATIONS: This limited warranty covers only the part(s) or product; any labor charges associated with repair or replacement of non-conformances are specifically excluded.

The above-listed warranty procedure is a condition precedent to bringing any legal action to enforce this limited warranty. Any action to enforce any portion of this limited warranty must be commenced within ninety days after the expiration of the limited warranty coverage period. Any performance of repairs will not suspend this limitation period from expiring, unless state law provides otherwise. Any performance of repairs after the limited warranty coverage period has expired, or performance of repairs regarding anything excluded from coverage under this limited warranty shall be considered “good will” repairs, and they will not change the express terms of this limited warranty or extend the limited warranty coverage period.

Exclusive jurisdiction for deciding legal disputes relating to alleged breach of warranty or representations of any nature relating to this limited warranty must be filed in the courts of Elkhart County within the State of Indiana. Any and all claims, controversies, and causes of action arising out of or relating to this limited warranty, whether sounding in contract, tort or statute, will be governed by the laws of the State of Indiana, without giving effect to any choice or conflict of law provision or rule.

NO OTHER WARRANTY, EXPRESS, IMPLIED OR STATUTORY, SHALL APPLY, INCLUDING, BUT NOT LIMITED TO, ANY IMPLIED WARRANTY OF MERCHANTABILITY, APPLICATION OR FITNESS FOR A PARTICULAR PURPOSE, OR ANY OTHER WARRANTY OBLIGATION ON THE PART EARTHWAY, AND ALL SUCH WARRANTIES ARE EXPRESSLY DISCLAIMED. In the event that applicable law prevents the disclaimer of any implied warranties, then such implied warranty shall be limited to the fullest extent permitted by law. Without limiting the foregoing, if applicable prevents the disclaimer of any such implied warranties, this limited warranty limits the period of time in which a claim for breach of implied warranties, including but not limited to the implied warranty of merchantability or fitness for a particular purpose, may be filed. In such event, any claim for breach of implied warranty must be brought before the expiration of this express limited warranty's one year term.